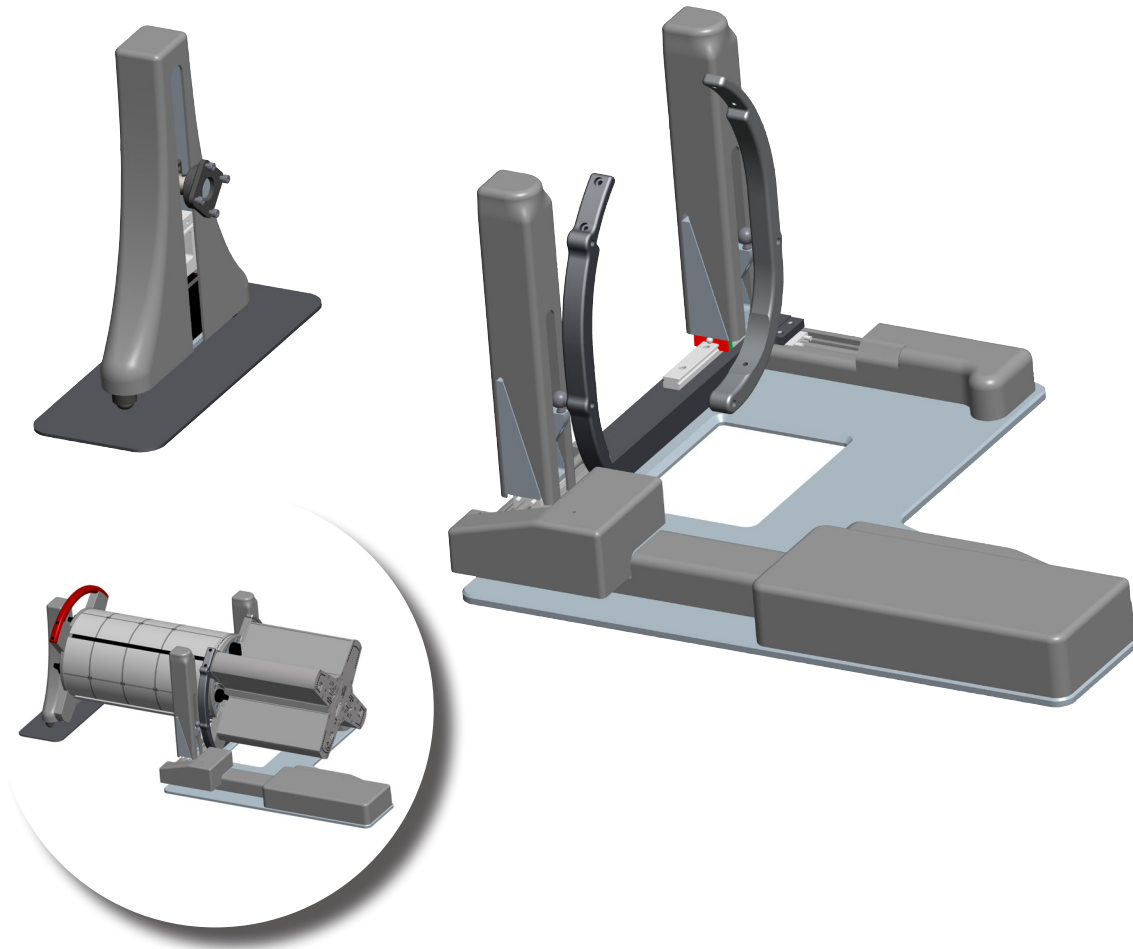


HexaMotion™ 6D Moving Platform



HexaMotion 6D moving platform in combination with Delta⁴ allows:

- Simulation of the patient specific tumor motion pattern in 6 dimensions
- Verification of the delivered dose in a moving target
- Time resolved analysis of the delivery
- Detection of latencies in the delivery system
- Fast positioning within sub-millimeter accuracy